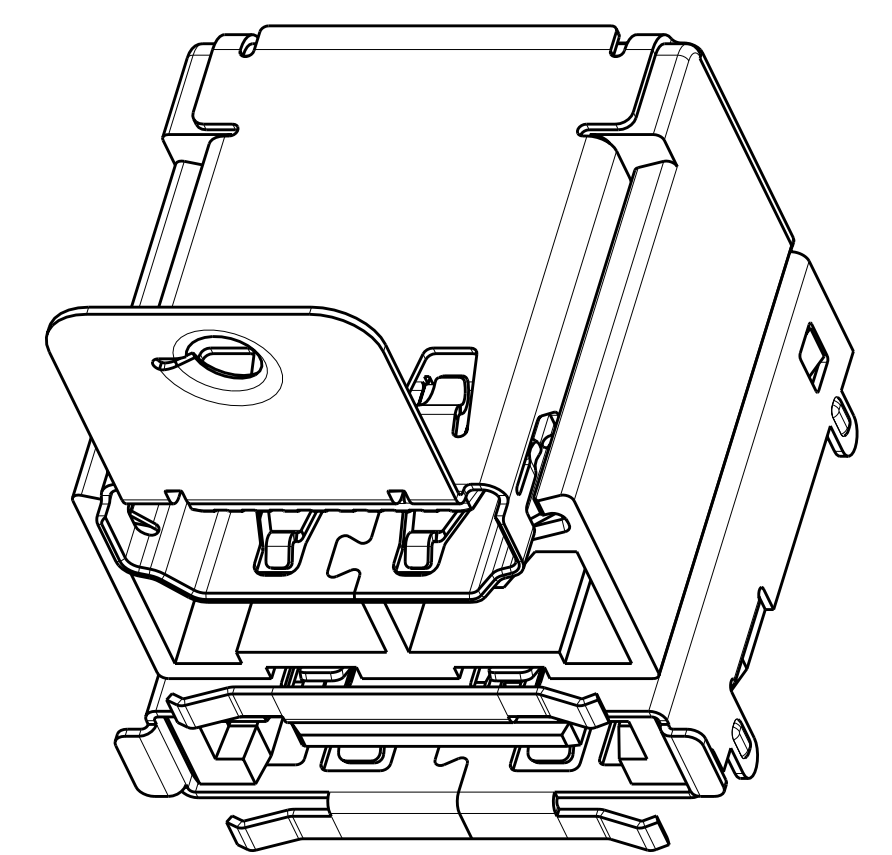
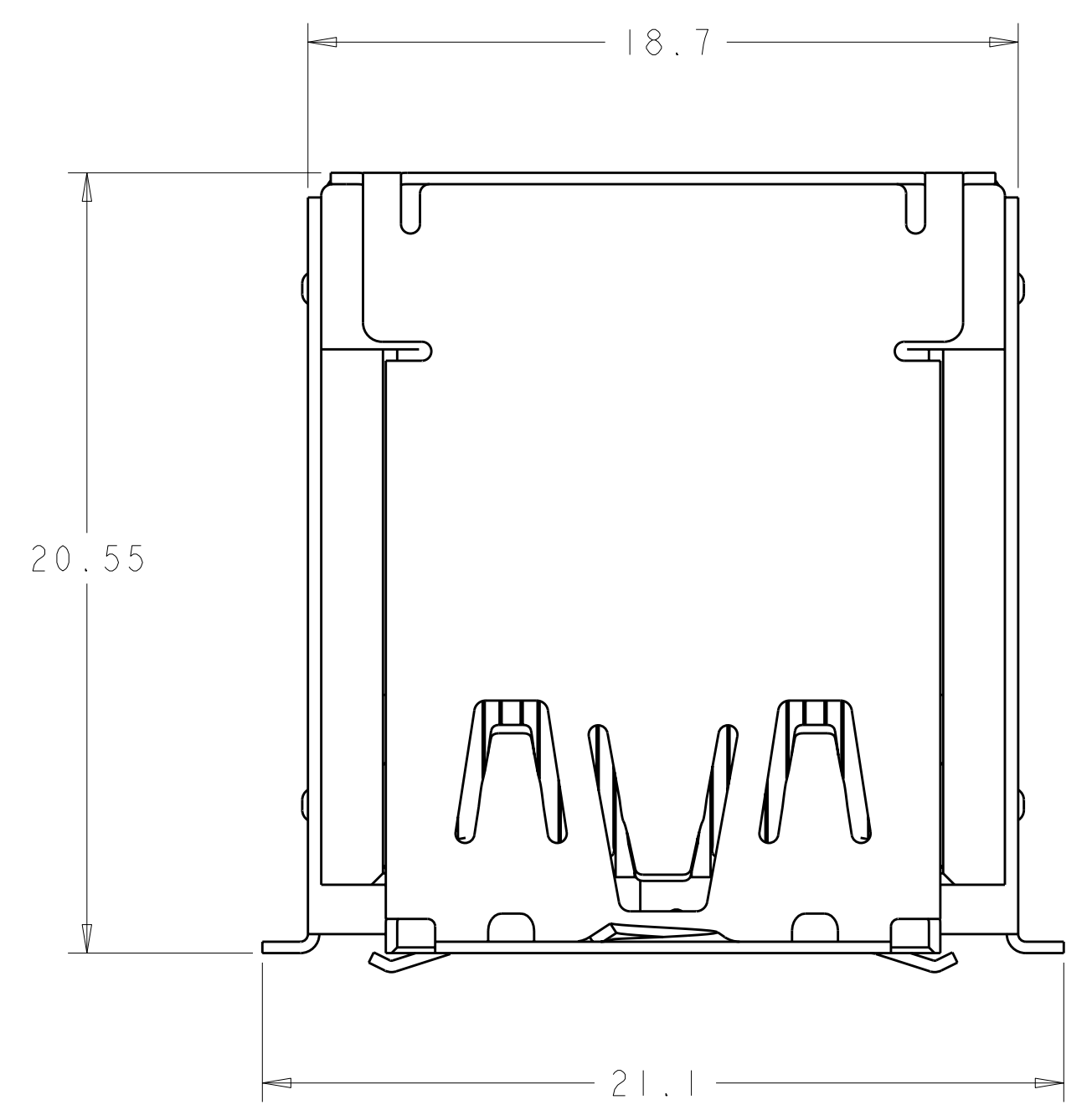
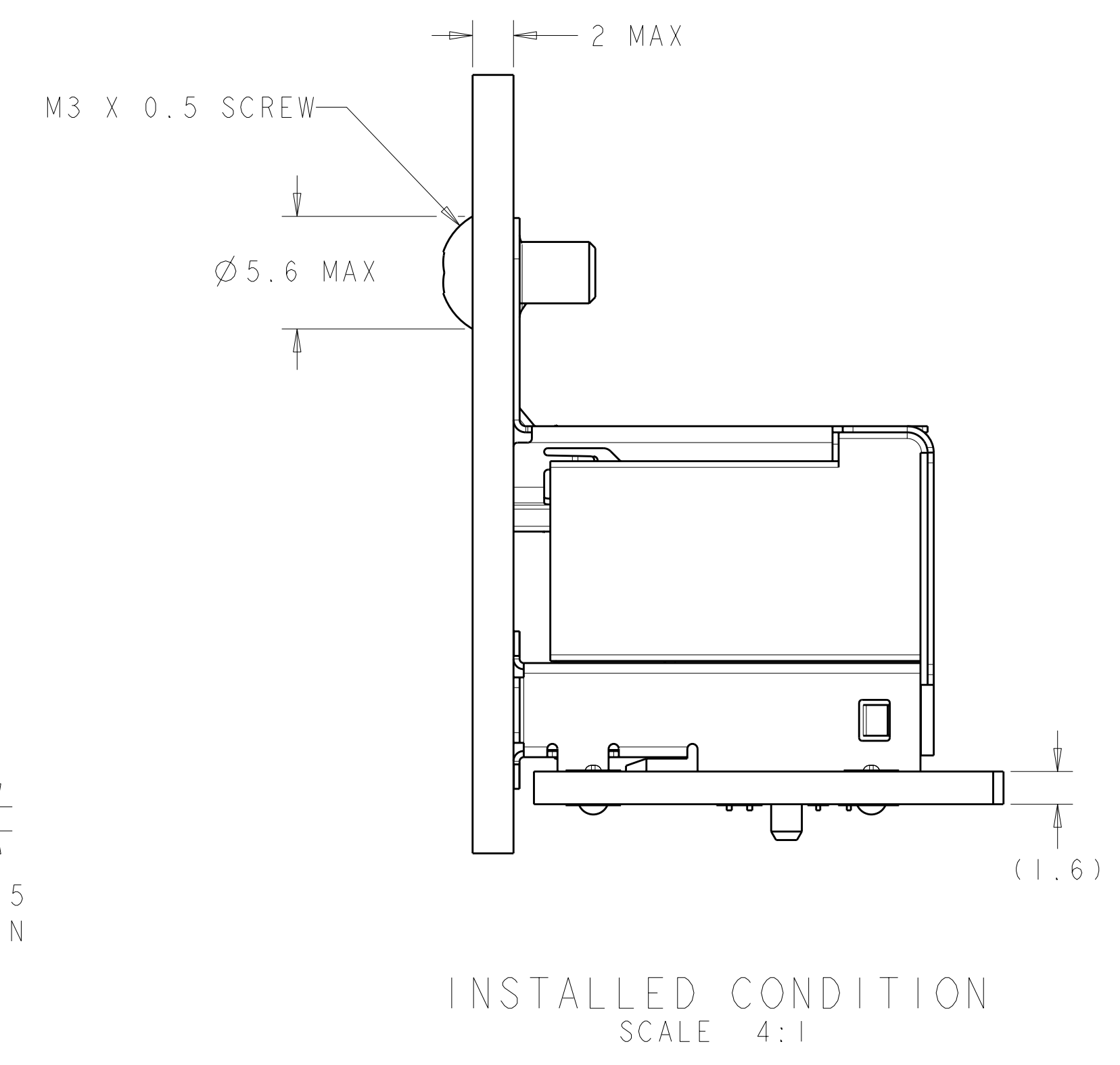
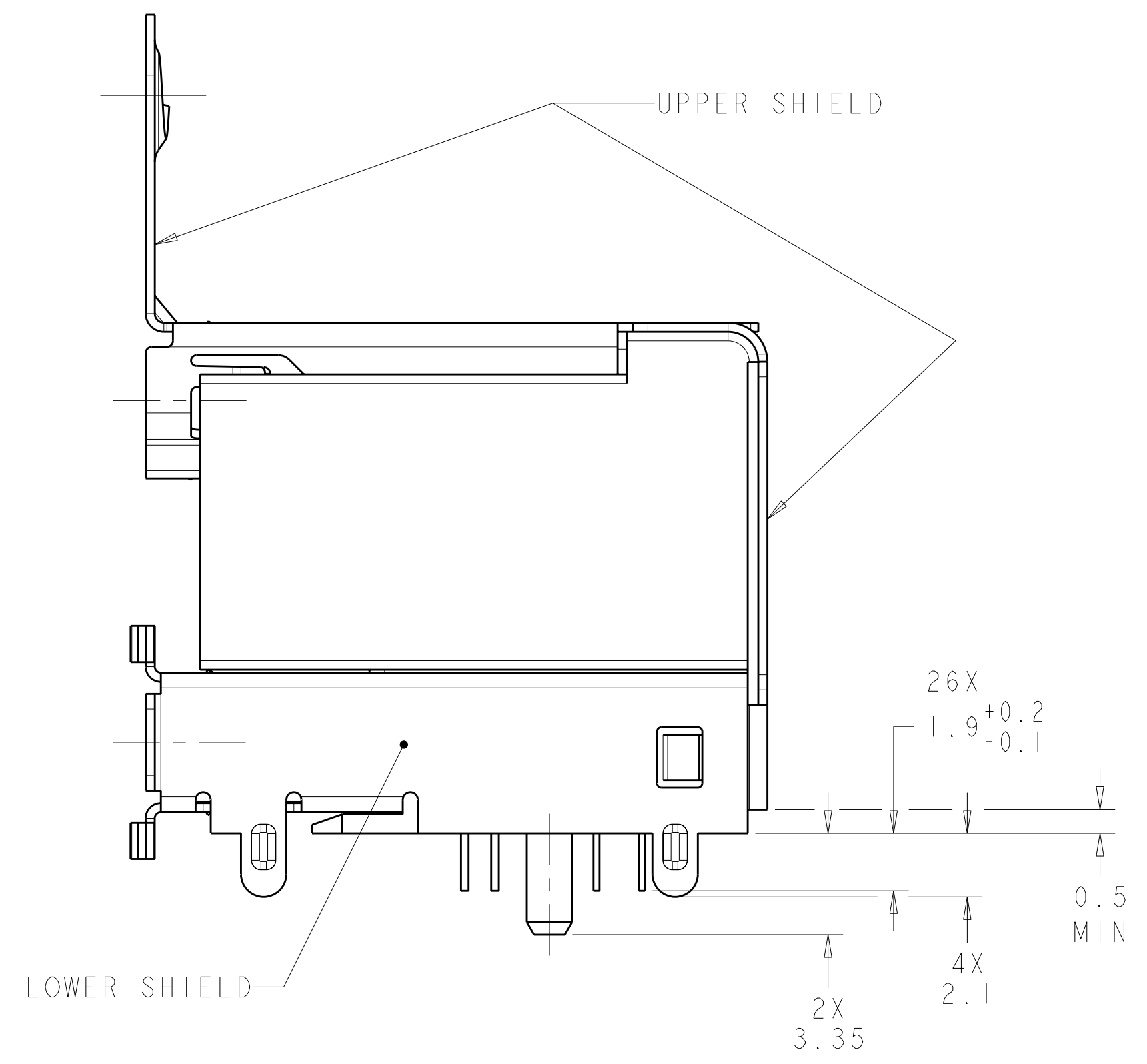
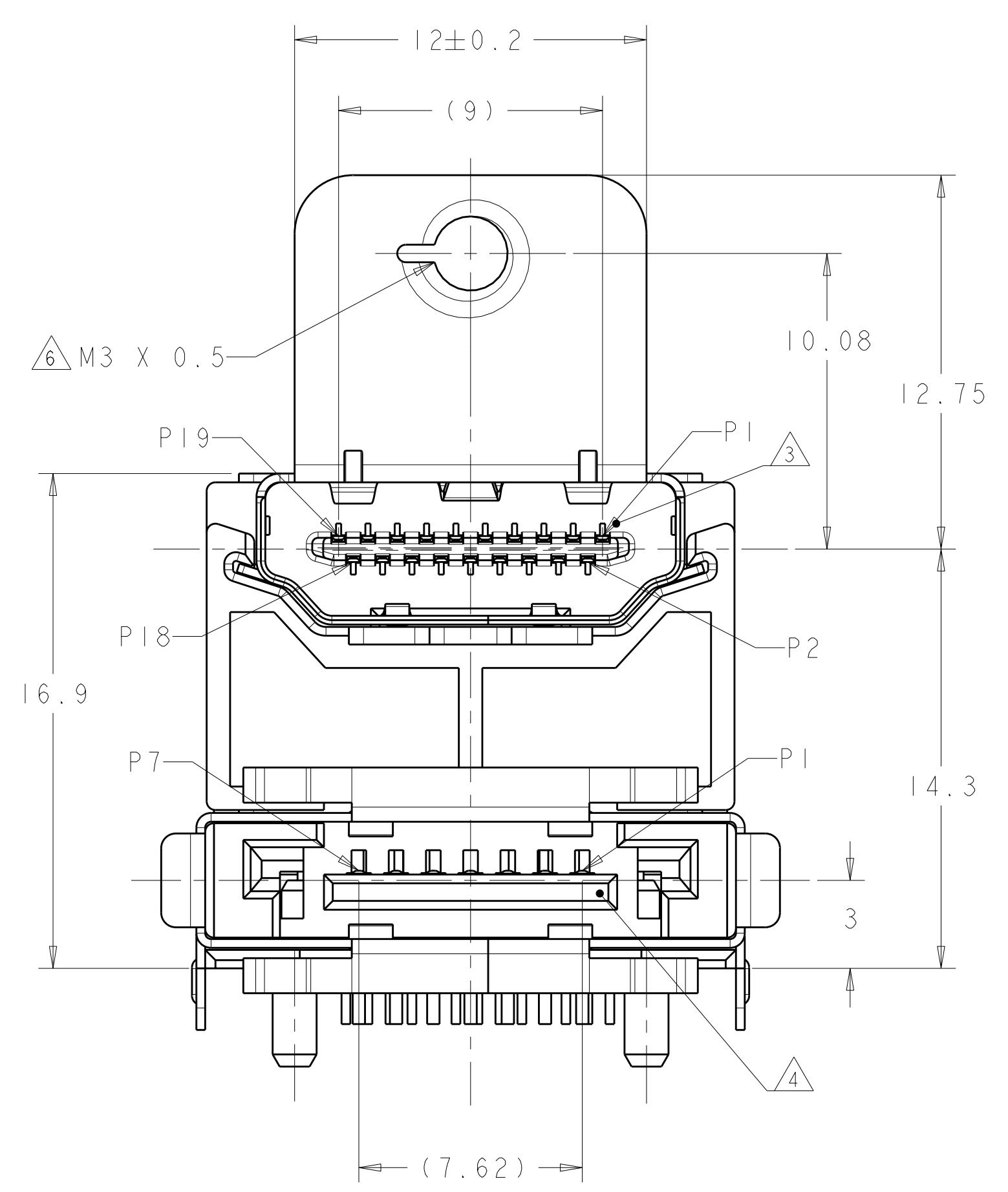


LOC	DIST	REV	DATE	BY	APP'D
GP	00	E	220C108	JDP	SLB



SCALE 4:1

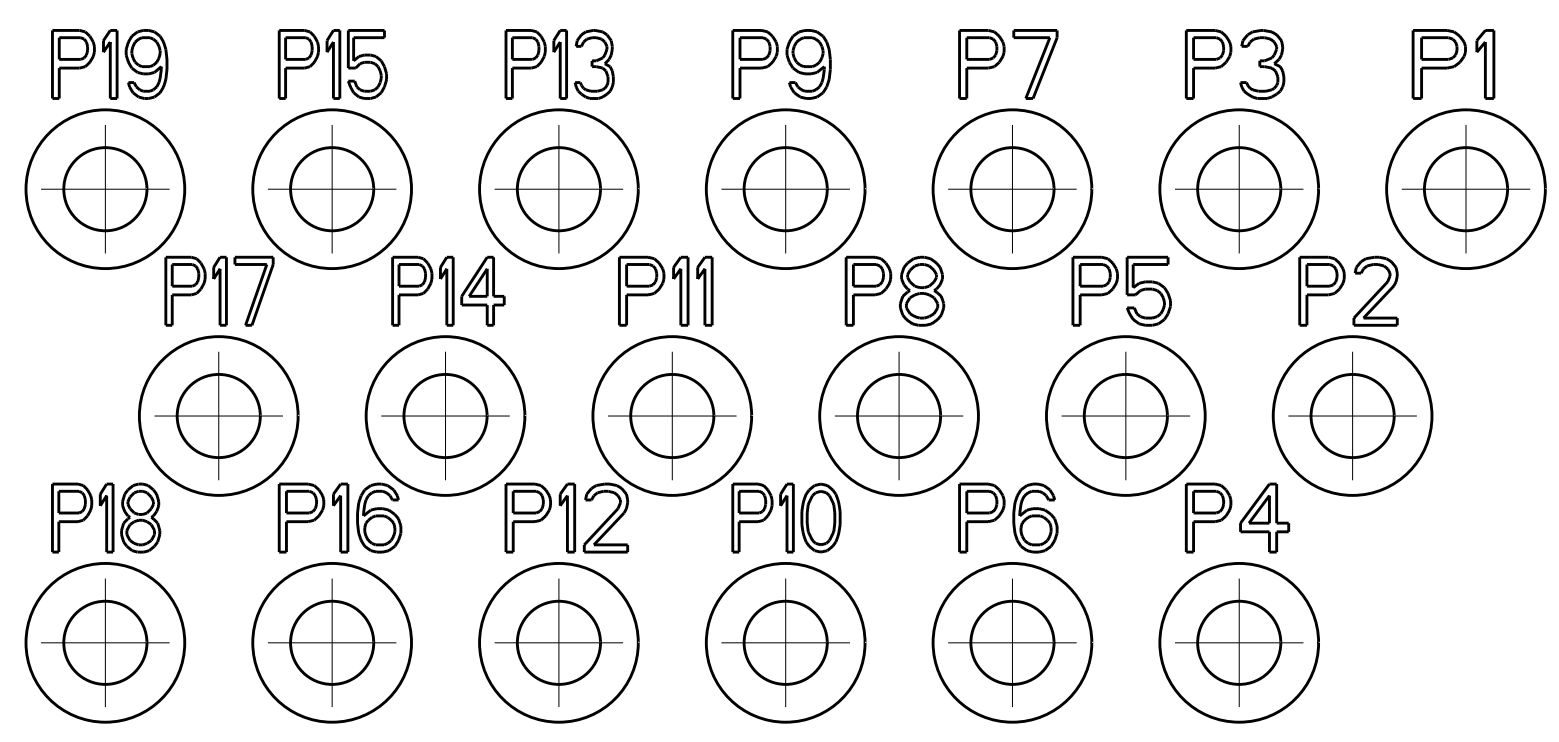
- 1 MATERIALS:**
 HOUSING: HIGH TEMP THERMOPLASTIC, UL94V-0, BLACK.
 CONTACTS: COPPER ALLOY
 SHIELDS: STAINLESS STEEL
- 2 FINISH:**
 CONTACTS:
 GOLD FLASH OVER
 PALLADIUM-NICKEL PLATE, 0.3um MIN TOTAL ON THE MATING SURFACE,
 2um MIN TIN PLATE ON THE SOLDER-TAIL,
 2um MIN NICKEL UNDERPLATE ON THE ENTIRE CONTACT.
 OR
 0.3um MIN GOLD PLATE ON THE MATING SURFACE,
 2um MIN TIN PLATE ON THE SOLDER-TAIL,
 2um MIN NICKEL UNDERPLATE ON THE ENTIRE CONTACT.
- LOWER SHIELD:
 0.75um MIN TIN OVER 0.8um MIN NICKEL UNDERPLATE
- 3 INTERFACE DIMENSIONS ARE PER HDMI SPECIFICATION VERSION 1.3a.**
4 INTERFACE DIMENSIONS ARE PER SERIAL ATA REVISION 2.5.
 5. WAVE SOLDER COMPATIBLE PER 109-202, CONDITION B,
 NO CLEAN FLUX IS RECOMMENDED.
6 APPLIED TORQUE MUST NOT EXCEED 4 kg-cm (3.47 in-lbs).



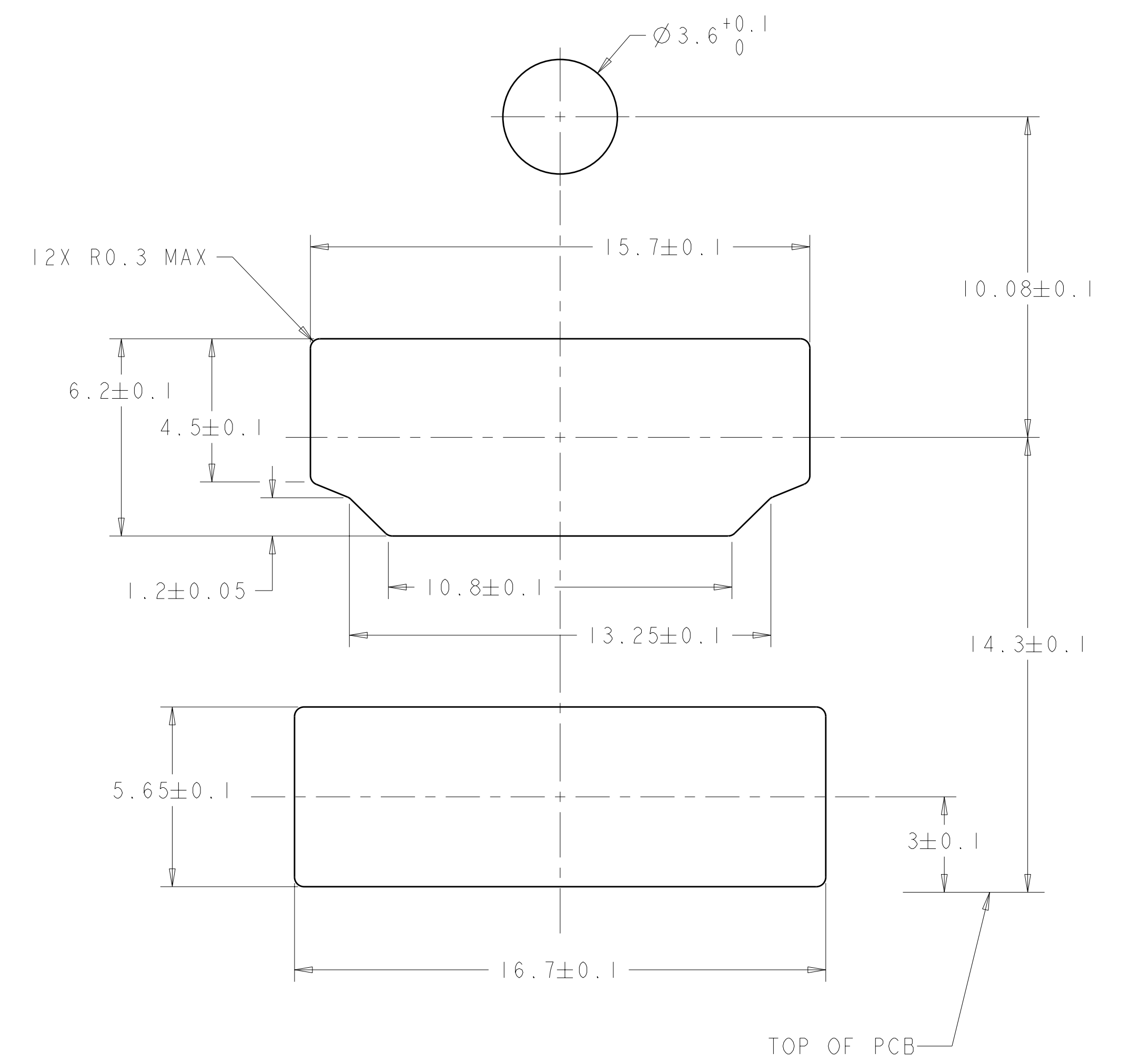
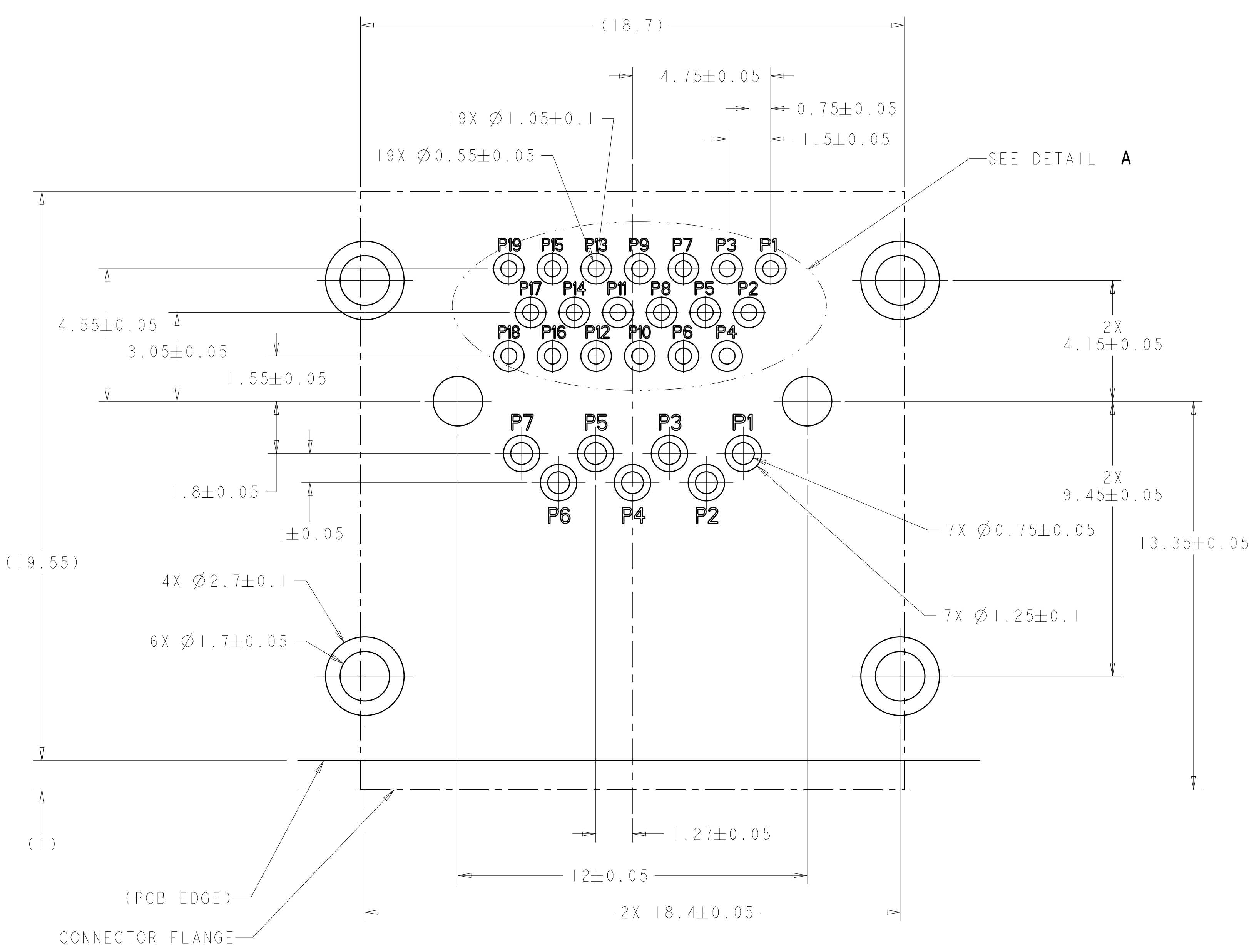
1888540-1
PART NO

DIMENSIONS: mm 		TOLERANCES UNLESS OTHERWISE SPECIFIED: 9 PLC ±0.3 1 PLC ±0.3 3 PLC ±0.3 5 PLC ±0.3 4 PLC ±0.3 ANGLES ±0.3°		DWN HAMNER 29JUN2006 CHK J. McCLELLAN 29JUN2006 APVD J. McCLELLAN 29JUN2006		Tyco Electronics Harrisburg, PA 17105-3608	
MATERIAL 1 FINISH 2		WEIGHT - CUSTOMER DRAWING		NAME PRODUCT SPEC - APPLICATION SPEC - SIZE CAGE CODE DRAWING NO A100779C=1888540		RESTRICTED TO SCALE 6:1 SHEET 1 OF 2 REV E	

LOC	DIST	REV	DATE	BY	APPD	
GP	00					
REVISIONS			DESCRIPTION	DATE	DWN	APPD
-			SEE SHEET 1	-	-	-



DETAIL A
 SCALE 20:1



RECOMMENDED PANEL CUTOUT
 SCALE 8:1

PCB LAYOUT
 SHOWN FROM CONNECTOR SIDE
 TOLERANCES ARE NON-CUMULATIVE
 SCALE 10:1

<small>THIS DRAWING IS UNPUBLISHED. RELEASED FOR PUBLICATION BY TYCO ELECTRONICS CORPORATION, ALL RIGHTS RESERVED.</small>		DWN HAMNER 29JUN2006 CHK J. McCLELLAN 29JUN2006 APPD J. McCLELLAN 29JUN2006	Tyco Electronics Harrisburg, PA 17105-3608
DIMENSIONS: mm 	TOLERANCES UNLESS OTHERWISE SPECIFIED: 0 PLC ±0.3 1 PLC ±0.3 2 PLC ±0.3 3 PLC ±0.3 4 PLC ±0.3 ANGLES ±0.3°	NAME PRODUCT SPEC APPLICATION SPEC WEIGHT CUSTOMER DRAWING	NAME HDMI/E-SATA STACKED CONNECTOR ASSEMBLY SIZE CAGE CODE DRAWING NO A100779C=1888540 SCALE 6:1 SHEET 2 OF 2 REV E